

## We Exhibit at JIMTOF 2022

This year, JIMTOF 2022 will be held as a real exhibition for the first time in four years. We are looking forward to this opportunity to show our actual machines.

We will exhibit the two models of KIWA shown below and also a machine of our co-exhibitor HARU Technique Laboratory Inc., as before.

Moreover, we will have SAKURAI LTD. at the adjacent booth with an integrated decoration and we will propose a machining line using their product and ours.

Please visit our booth by all means.

KIWA Nobumasa, President



### ● Exhibition Period

Nov. 8<sup>th</sup> (Tue) - 13<sup>th</sup> (Sun), 2022; Time: 9:00 - 17:00 [16:00 on 13<sup>th</sup> (Sun)]

### ● Place of Exhibition

Tokyo Big Sight (Tokyo International Exhibition Center)

Our Booth: [E5022](#)

### ● We Exhibit:

#### Model Name

#### Features to Note

#### Horizontal Machining Center KH-5800kai



- Largest workpiece size in its class (#40 taper) - Max.  $\Phi 800 \times 1000$ mm, 500kg [Option: 750kg]
- Space saving design - The required floor space is 2896x5482mm (2APC+40/60ATC) only.
- Various options are prepared to satisfy a wide range of machining requirements.

#### Special Machine for Glass/ Ceramics Cutting GV40



(The exhibit will be Triple V40, a version for ordinary metal cutting.)

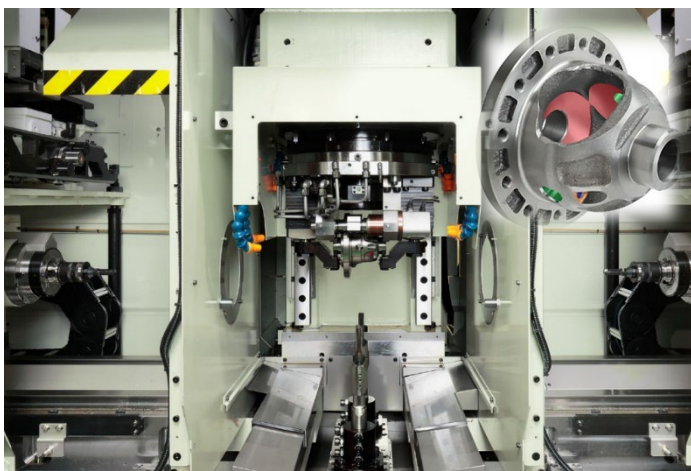
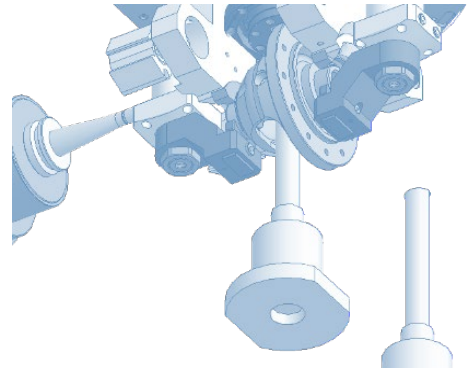
- The 3-axis column traverse design is adopted, and large X/Y-axis strokes of 710mm are available.
- Machining area and Driving area are completely separated to avoid problems caused by coolant and cutting chips.
- Two types of application are available for metal cutting and glass/ ceramics cutting.

## HARU Technique Laboratory Inc. as Co-exhibitor

They will exhibit a Multi-task turning center for Differential cases Model: CDM40-DA163.

Unlike conventional spherical end surface machining, this machine is capable of full sphere machining of the inside of the differential case and combined machining.

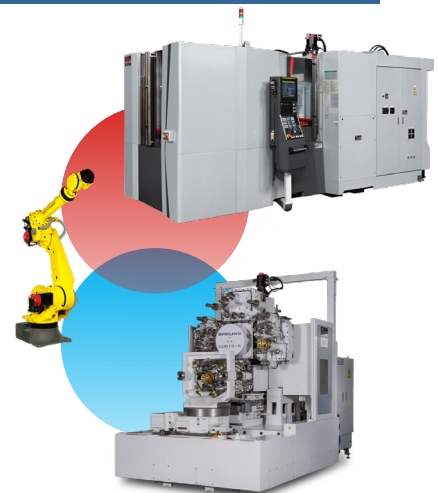
Please have a look at how it works.



## SAKURAI LTD. (We Will Share an Integrated Booth Design)

Their Booth No.: E5018

開かれる扉 ~ 新技術が待っています！



# KIWA Japan

## KIWA MACHINERY CO., LTD.

522-51 HARADE KURAMOCHI-CHO, NABARI, MIE  
518-0752, JAPAN

TEL : +81-595-64-4758 FAX : +81-595-64-7529

E-mail : [overseas@kiwa-mc.co.jp](mailto:overseas@kiwa-mc.co.jp) URL : [www.kiwa-mc.co.jp/en/](http://www.kiwa-mc.co.jp/en/)